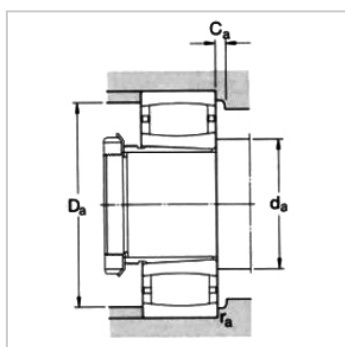
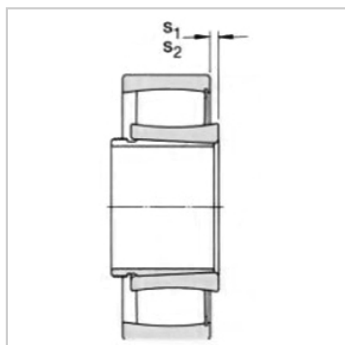
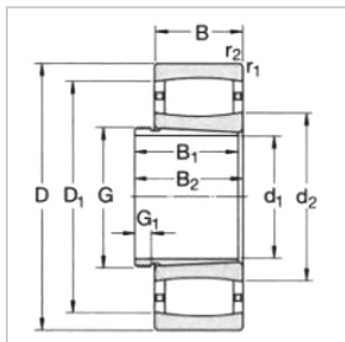


CARB Toroidal Roller Bearing

d1 90-145mm-C2222K+AHX3122

参数信息:



Principal dimensions ( mm ) :

|     |     |
|-----|-----|
| d : | 105 |
| D : | 200 |
| B : | 53  |

Basic load ratingsKN :

|          |     |
|----------|-----|
| dycCr :  | 530 |
| stcCor : | 620 |
| Pu :     | 64  |

Speed ratingsrpm :

|                               |      |
|-------------------------------|------|
| Speed Ratings :               | 3200 |
| Limiting Speed :              | 4300 |
| Bearing+ Withdrawal sleeves : | 7.65 |

Designation :

|                      |         |
|----------------------|---------|
| Bearing :            | C2222K  |
| Withdrawal sleeves : | AHX3122 |

Dimensions mm :

|        |          |
|--------|----------|
| d :    | 105      |
| d ~ :  | 132      |
| D1 ~ : | 176      |
| B :    | 68       |
| B~ :   | 72       |
| G :    | M120 × 2 |
| G :    | 11       |
| rMin : | 2.1      |
| s ~ :  | 11.1     |
| s ~ :  | -        |

Abutment and fillet dimensions mm :

---

|          |     |
|----------|-----|
| d Min :  | 122 |
| dMax :   | 150 |
| Da Min : | 165 |
| Da Max : | 188 |
| Ca Min : | 1.9 |
| r Max :  | 2   |

Calculation Factors :

|     |       |
|-----|-------|
| k : | 0.113 |
| k : | 0.103 |

: